

# ANGLED STORYWALK FRAME WITH ALUMINUM POST FOR SURFACE MOUNT INSTALLATION



## SPECIFICATIONS

**A** Removable bottom rail for sign panel (or book material) insertion. Panel slides into exposed channel at bottom of frame.

**B** Frame rail with frame gap for up to 1/4" thick book page or display materials.

For use with a 18" high x 24" wide sign panel (or book page materials), providing a viewable area of 16.75" high x 22.75" wide.

45 degree display angle.

Standard post length is 40".

3 Year warranty on powder-coated aluminum frame.

Includes two clear acrylic sheets.

## ADDITIONAL INFORMATION

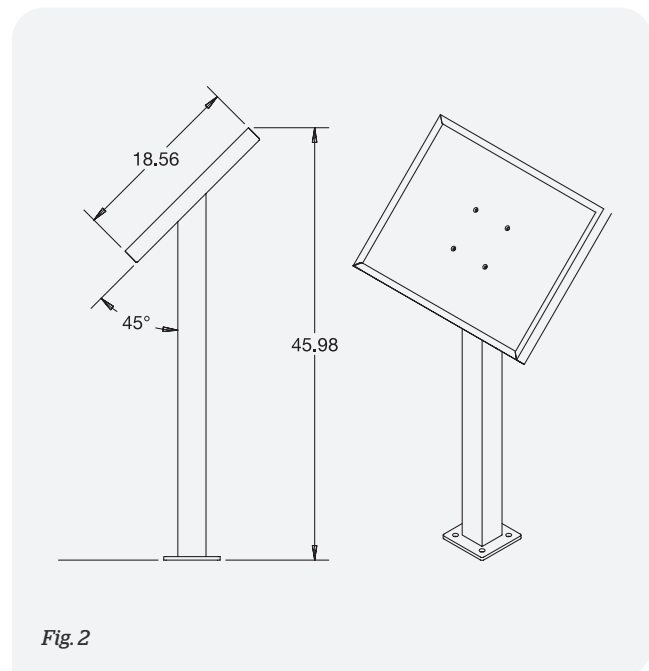
Our Storywalk frames are intended for the display of an outdoor durable sign panel or the temporary display of laminated book page materials. Bare in mind that inks used in book pages have little UV resistance and by their nature, are not well suited for outdoor display. For best results, use a 10 mil hot laminate with a sealed border to help protect book page materials. The use of the provided clear acrylic sheets will provide some additional protection, but will NOT result in a waterproof display or provide any UV resistance.

## CLEANING INSTRUCTIONS

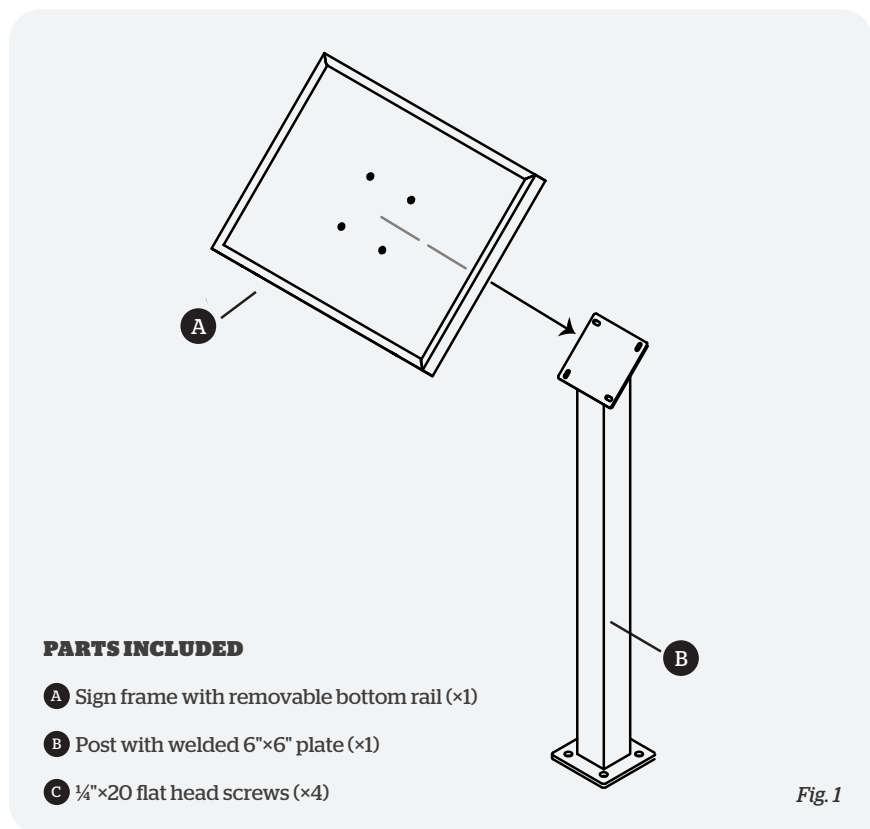
Use a soft cloth and a diluted soap & water solution to wash the display.

Dry the display with a soft cloth.

DO NOT USE ammonia cleaners (Windex) or paper towels as they may damaged the display.



# ANGLED STORYWALK FRAME ASSEMBLY AND INSTALLATION (SURFACE MOUNT)



## PARTS INCLUDED

- A Sign frame with removable bottom rail (x1)
- B Post with welded 6"×6" plate (x1)
- C 1/4"×20 flat head screws (x4)

Fig. 1

## TOOLS REQUIRED

- 5/32" Allen driver
- 7/16" socket or wrench

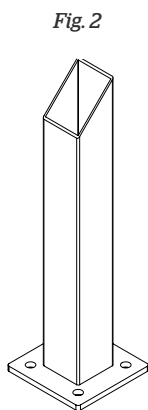
## ASSEMBLY DIRECTIONS

1. Unpack all parts and inspect for damaged or missing items.
2. Arrange all items for assembly using corrugated packaging to protect items from damage.
3. Verify that removable rail is in bottom position.
4. Attach the frame to the post plates using the provided hardware (C) and a 5/32" allen driver and 7/16" socket or wrench.
5. Remove bottom rail, insert sign panel or book material and secure bottom rail back in place.

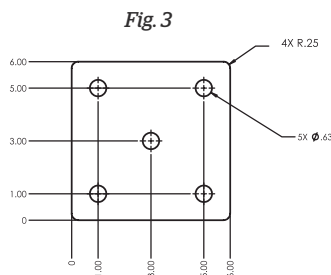
## SURFACE MOUNT

### INSTALLATION

Consult a professional to determine the correct installation hardware for your particular surface. If installing to a concrete pad, you will need to know the thickness of the pad to select proper hardware.



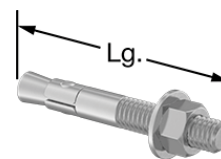
Basic Surface Mount



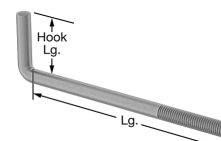
SCF-A66 Surface Mount Plate Mount Hole Layout

6×6×3/8" aluminum (with center drain hole)

### TYPES OF FASTENERS (NOT INCLUDED)



Steel Stud Anchor for Existing Concrete



Steel L-Hook Anchor for Wet Concrete