

DOUBLE FRAMELESS PEDESTAL ASSEMBLY AND IN GROUND INSTALLATION

PARTS

- A** If ordered, high pressure laminate sign panel high pressure laminate sign panel (×1) (Includes 8 screws to fasten sign panel to mount plate provided by the sign panel manufacturer. Check the sign panel packaging carefully.)
- B** Sign posts with welded 6"×6" plate (×2)
- C** Mount plates (12"×12", 12"×18", 16"×20")*
*If ordered
- D** ¼"×20 flat head screws (×8)*
*Packaged in two sets of 4

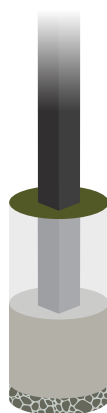
TOOLS REQUIRED

- 5/32" Allen driver
- 7/16" socket or wrench
- Post hole digger
- Shovel
- Hammer
- Level
- Tape Measure
- Tamping stick for gravel
- Kraft paper or plastic sheet
- Wood braces and clamps

MATERIALS NEEDED

- Concrete and/or class 5 gravel
- 6-8 length of rebar (if desired)

Fig. 3



Footing specifications should be based on soil conditions and frost depths in your geographic area.

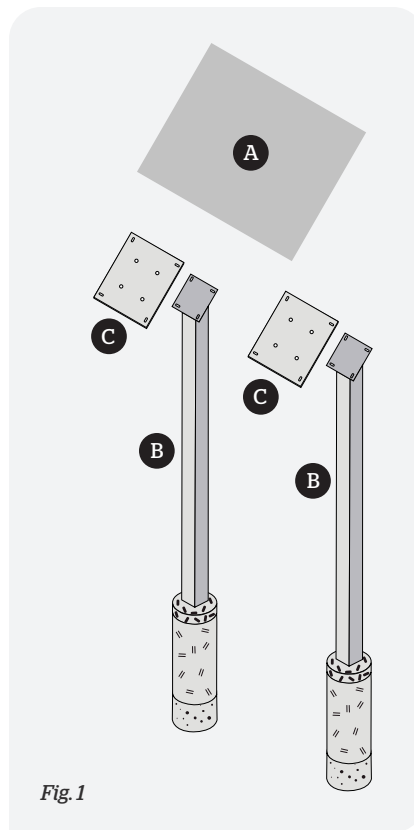


Fig. 1

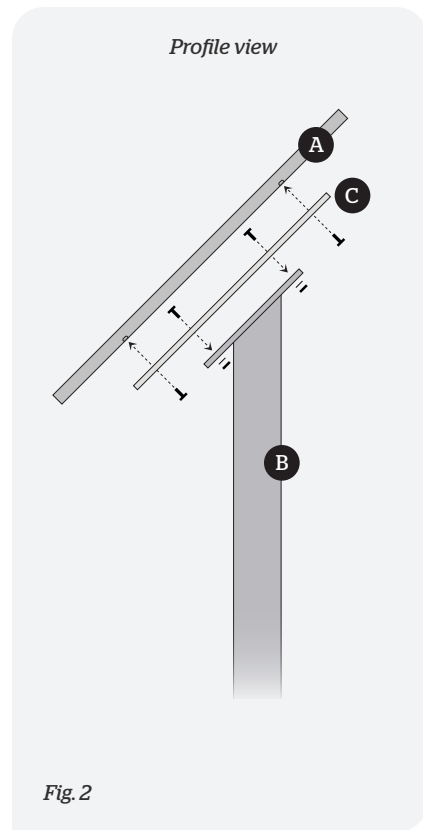


Fig. 2

ASSEMBLY DIRECTIONS

1. Unpack all parts and inspect for damaged or missing items.
2. Arrange all items for assembly using corrugated packaging to protect items from damage.
3. Attach mount plates (C) to the post plates (B) with provided fasteners. Then attach the self-supporting sign panel (A) to the mount plates with the provided hardware from the sign panel manufacturer. **DO NOT OVERTIGHTEN.**
4. If desired, insert rebar through hole on post ends to form a "T".
5. Dig two 8"-10" diameter holes to a depth of about 6" below the frost line, spaced on center as determined by the mount hole pattern on the backside of the sign panel. Add several inches of tamped gravel to serve as footing base. With posts in the

holes, verify installation height—bottom of sign panel should mount 28'-32" from grade. For a 24"H sign panel, a mount height of 30" from grade allows for about 20" post burial. For a 18"H sign panel, a 30" mount height from grade allows for about 22" post burial.

6. Protect posts with wrapped kraft paper or plastic sheet. Verify level, plumb and installation height. Stabilize posts in hole with wood braces and clamps. Backfill with additional tamped class 5 and/or prepared concrete,
7. After concrete has set, (if used) remove braces and plastic sheeting, if used.