

# DOUBLE FRAMELESS PEDESTAL ASSEMBLY AND SURFACE MOUNT INSTALLATION

## PARTS

- A** If ordered, high pressure laminate sign panel high pressure laminate sign panel (x1) (Includes 8 screws to fasten sign panel to mount plate provided by the sign panel manufacturer. Check the sign panel packaging carefully.)
- B** Sign posts with welded 6"×6" plate (x2)
- C** Mount plates (12"×12", 12"×18", 16"×20")\*  
\*If ordered
- D** ¼"×20 flat head screws (x8)\*  
\*Packaged in two sets of 4

## TOOLS REQUIRED

- 5/32" Allen driver
- 7/16" socket or wrench
- Level

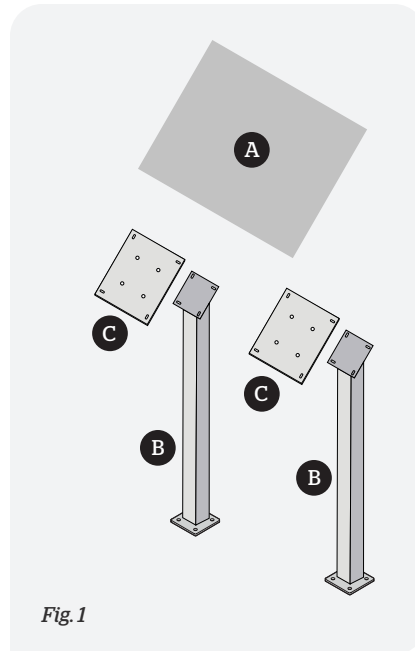


Fig. 1

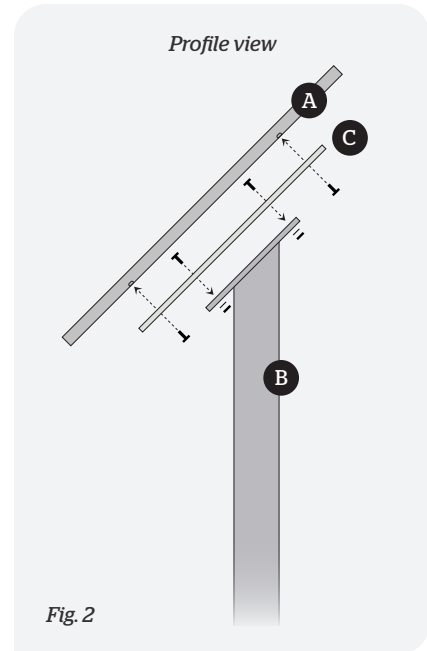


Fig. 2

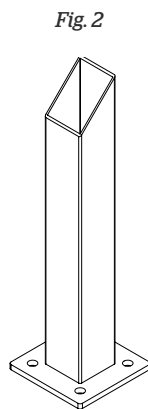
## ASSEMBLY DIRECTIONS

1. Unpack all parts and inspect for damaged or missing items.
2. Arrange all items for assembly using corrugated packaging to protect items from damage.
3. With two people, attach mount plates (C) to the post plates (B) with provided fasteners. Then attach the self-supporting sign panel (A) to the mount plates with the provided hardware from the sign panel manufacturer. DO NOT OVERTIGHTEN.
4. Once assembled to a single unit, fasten surface mount plates to concrete pad, footing, deck or other surface with appropriate fasteners.

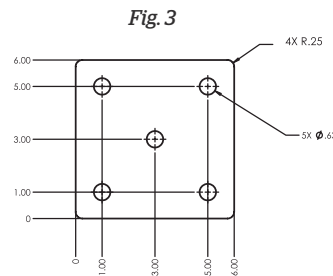
## SURFACE MOUNT

### INSTALLATION

Consult a professional to determine the correct installation hardware for your particular surface. If installing to a concrete pad, you will need to know the thickness of the pad to select proper hardware.

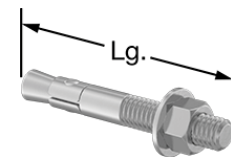


Basic Surface Mount

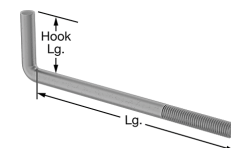


**SCF-A66 Surface Mount Plate Mount Hole Layout**  
6×6× $\frac{3}{8}$ " aluminum (with center drain hole)

### TYPES OF FASTENERS (NOT INCLUDED)



**Steel Stud Anchor for Existing Concrete**



**Steel L-Hook Anchor for Wet Concrete**