

FLUSH MOUNT STORYWALK FRAME WITH ALUMINUM POST FOR IN GROUND INSTALLATION

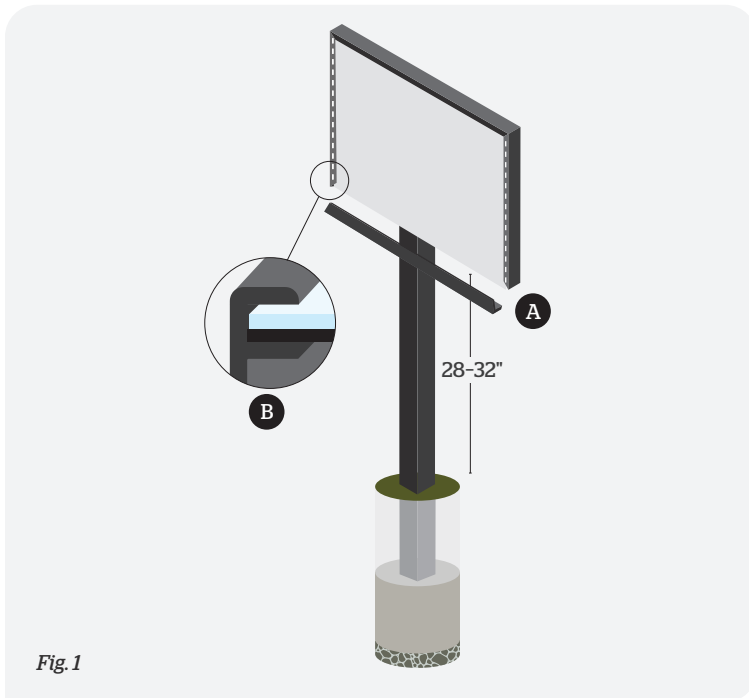


Fig. 1

SPECIFICATIONS

A Removable bottom rail for sign panel (or book material) insertion. Panel slides into exposed channel at bottom of frame.

B Frame rail with frame gap for up to 1/4" thick book page or display materials.

For use with a 18" high x 24" wide sign panel (or book page materials), providing a viewable area of 16.75" high x 22.75" wide.

Standard post length is 60".

3 Year warranty on powder-coated aluminum frame.

Includes two clear acrylic sheets.

ADDITIONAL INFORMATION

Our Storywalk frames are intended for the display of an outdoor durable sign panel or the temporary display of laminated book page materials. Bare in mind that inks used in book pages have little UV resistance and by their nature, are not well suited for outdoor display. For best results, use a 10 mil hot laminate with a sealed border to help protect book page materials. The use of the provided clear acrylic sheets will provide some additional protection, but will NOT result in a waterproof display or provide any UV resistance.

CLEANING INSTRUCTIONS

Use a soft cloth and a diluted soap & water solution to wash the display.

Dry the display with a soft cloth.

DO NOT USE ammonia cleaners (Windex) or paper towels as they may damaged the display.

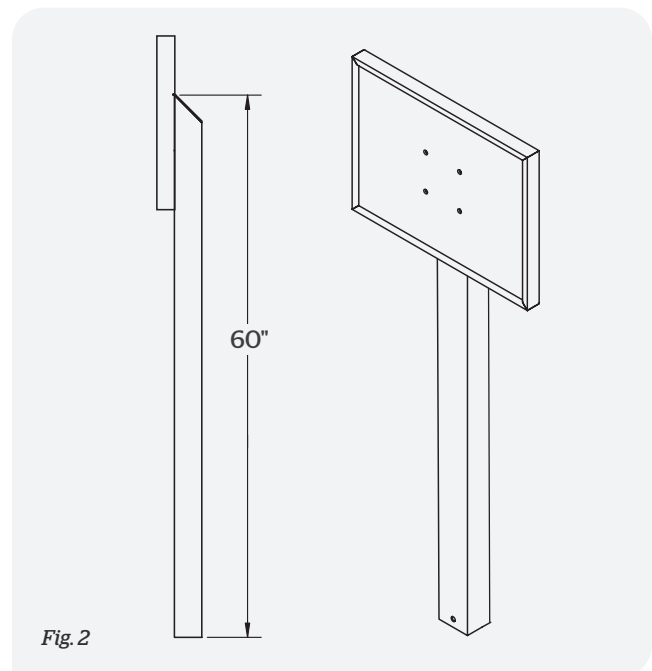


Fig. 2

FLUSH MOUNT STORYWALK FRAME ASSEMBLY AND INSTALLATION (IN GROUND)

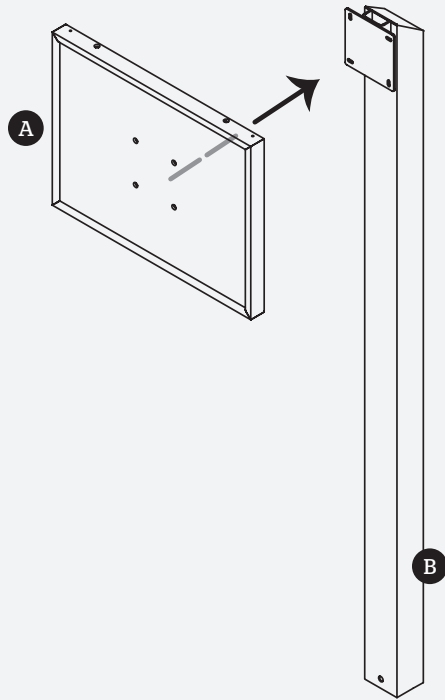


Fig. 1

TOOLS REQUIRED

- 5/32" Allen driver
- 7/16" socket or wrench

PARTS INCLUDED

- A** Sign frame with removable bottom rail (x1)
- B** Post with welded 6"x6" plate (x1)
- C** 1/4"x20 flat head screws (x4)

ASSEMBLY DIRECTIONS

1. Unpack all parts and inspect for damaged or missing items.
2. Arrange all items for assembly using corrugated packaging to protect items from damage.
3. Verify that removable rail is in bottom position.
4. Attach the frame to the post plate using the provided hardware (**C**) and a 5/32" allen driver and 7/16" socket or wrench.

IN GROUND INSTALLATION

TOOLS REQUIRED

- 5/32" Allen driver
- 7/16" socket
- Post hole digger
- Shovel
- Hammer
- Level
- Tape Measure
- Tamping stick for gravel
- Kraft paper or plastic sheet
- Wood braces and clamps

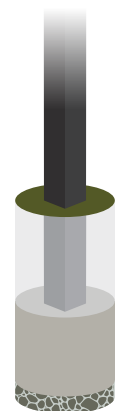
MATERIALS NEEDED

- Concrete and/or class 5 gravel
- 6-8" Length of rebar (if desired)

ASSEMBLY DIRECTIONS

1. Insert rebar through hole on post end (if desired) to form "T". Dig 8"-10" diameter hole to a depth of about 6" below the frost line. Add several inches of tamped gravel to serve as footing base. Verify installation height—bottom of frame should mount 28"-32" from grade. For a 18"H frame, a 30" mount height from grade allows for about 18" post burial.
2. Protect post with wrapped kraft paper or plastic sheet. Verify level, plumb and installation height. Stabilize post in hole with wood braces and camps. Backfill with additional tamped class 5 and/or prepared concrete.
3. After concrete has set (if used), remove braces and plastic sheeting. Backfill as desired.
4. Remove bottom rail, insert book page materials and secure bottom rail back in place.

Fig. 2



Footing specifications should be based on soil conditions and frost depths in your geographic area.