

FLUSH MOUNT STORYWALK FRAME WITH ALUMINUM POST (FOR SURFACE MOUNT INSTALLATION)

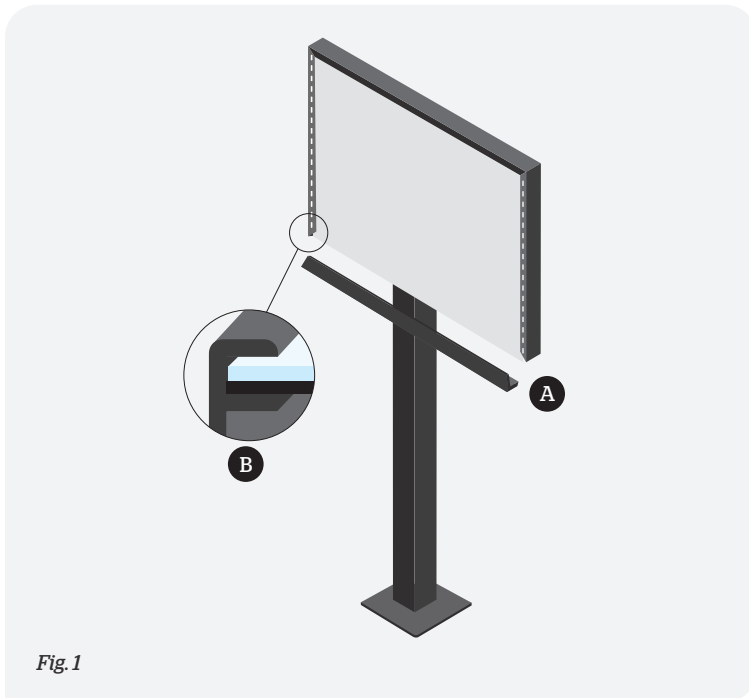


Fig. 1

SPECIFICATIONS

A Removable bottom rail for sign panel (or book material) insertion. Panel slides into exposed channel at bottom of frame.

B Frame rail with frame gap for up to 1/4" thick book page or display materials.

For use with a 18" high x 24" wide sign panel (or book page materials), providing a viewable area of 16.75" high x 22.75" wide.

Standard post length is 40".

3 Year warranty on powder-coated aluminum frame.

Includes two clear acrylic sheets.

ADDITIONAL INFORMATION

Our Storywalk frames are intended for the display of an outdoor durable sign panel or the temporary display of laminated book page materials. Bare in mind that inks used in book pages have little UV resistance and by their nature, are not well suited for outdoor display. For best results, use a 10 mil hot laminate with a sealed border to help protect book page materials. The use of the provided clear acrylic sheets will provide some additional protection, but will NOT result in a waterproof display or provide any UV resistance.

CLEANING INSTRUCTIONS

Use a soft cloth and a diluted soap & water solution to wash the display.

Dry the display with a soft cloth.

DO NOT USE ammonia cleaners (Windex) or paper towels as they may damaged the display.

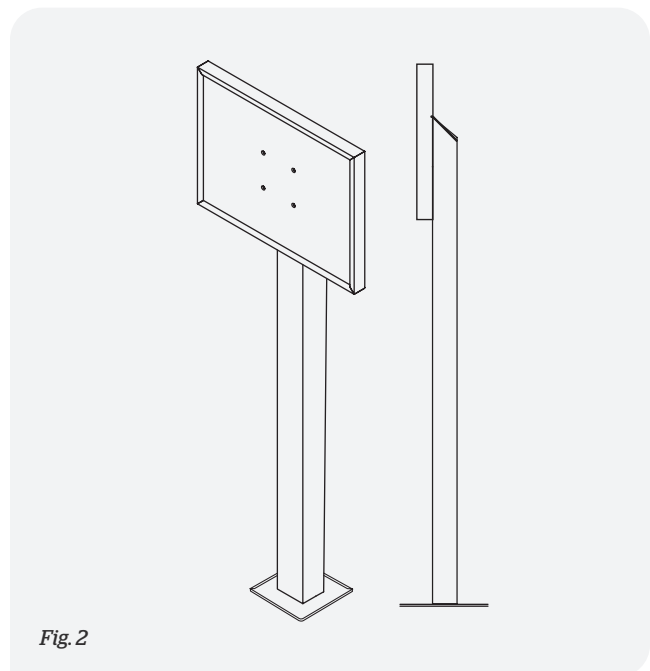
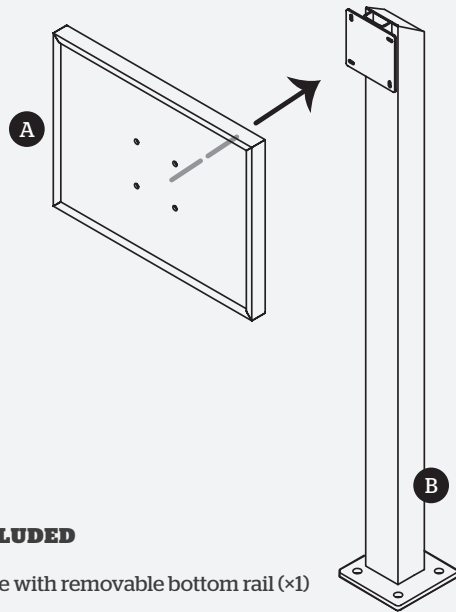


Fig. 2

STORYWALK FLUSH MOUNT FRAME ASSEMBLY AND INSTALLATION (SURFACE MOUNT)



PARTS INCLUDED

- A Sign frame with removable bottom rail (x1)
- B Post with welded 6"x6" plate (x1)
- C 1/4"x20 flat head screws (x4)

TOOLS REQUIRED

- 5/32" Allen driver
- 7/16" socket or wrench

ASSEMBLY DIRECTIONS

1. Unpack all parts and inspect for damaged or missing items.
2. Arrange all items for assembly using corrugated packaging to protect items from damage.
3. Verify that removable rail is in bottom position.
4. Attach the frame to the post plate using the provided hardware (C) and a 5/32" allen driver and 7/16" socket or wrench.
5. Remove bottom rail, insert sign panel or book material and secure bottom rail back in place.

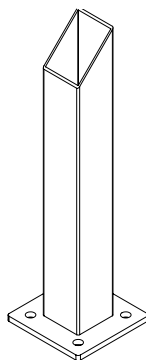
Fig. 1

SURFACE MOUNT

INSTALLATION

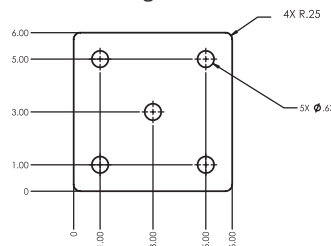
Consult a professional to determine the correct installation hardware for your particular surface. If installing to a concrete pad, you will need to know the thickness of the pad to select proper hardware.

Fig. 2



Basic Surface Mount

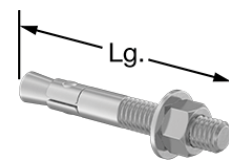
Fig. 3



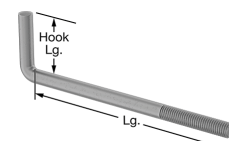
SCF-A66 Surface Mount Plate Mount Hole Layout

6x6x3/8" aluminum (with center drain hole)

TYPES OF FASTENERS (NOT INCLUDED)



Steel Stud Anchor for Existing Concrete



Steel L-Hook Anchor for Wet Concrete