

FLUSH MOUNT STORYWALK FRAME WITH BRACKET FOR WOOD POST (NOT INCLUDED)

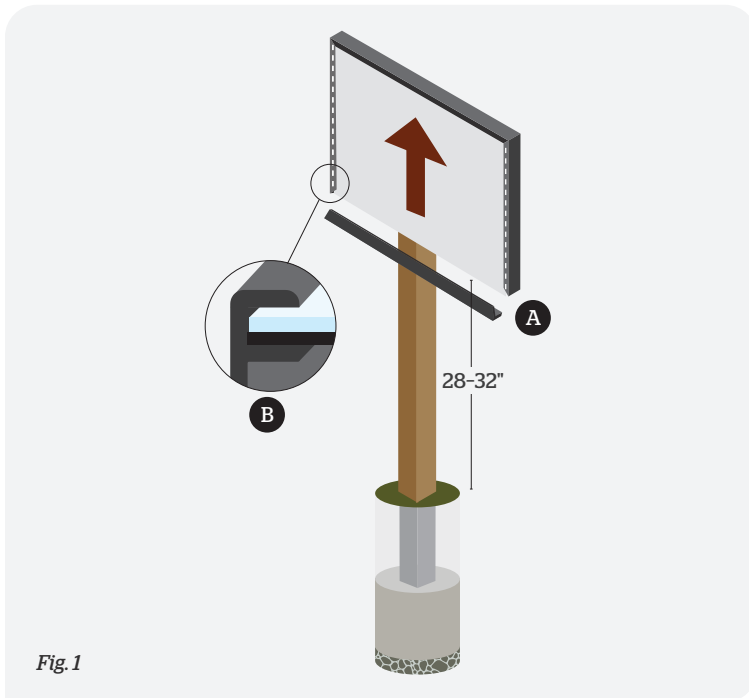


Fig. 1

SPECIFICATIONS

A Removable bottom rail for sign panel (or book material) insertion. Panel slides into exposed channel at bottom of frame.

B Frame rail with frame gap for up to 1/4" thick book page or display materials.

For use with a 18" high x 24" wide sign panel (or book page materials), providing a viewable area of 16.75" high x 22.75" wide.

45 degree display angle.

3 Year warranty on powder-coated aluminum frame.

Includes two clear acrylic sheets.

ADDITIONAL INFORMATION

Our Storywalk frames are intended for the display of an outdoor durable sign panel or the temporary display of laminated book page materials. Bare in mind that inks used in book pages have little UV resistance and by their nature, are not well suited for outdoor display. For best results, use a 10 mil hot laminate with a sealed border to help protect book page materials. The use of the provided clear acrylic sheets will provide some additional protection, but will NOT result in a waterproof display or provide any UV resistance.

CLEANING INSTRUCTIONS

Use a soft cloth and a diluted soap & water solution to wash the display.

Dry the display with a soft cloth.

DO NOT USE ammonia cleaners (Windex) or paper towels as they may damaged the display.

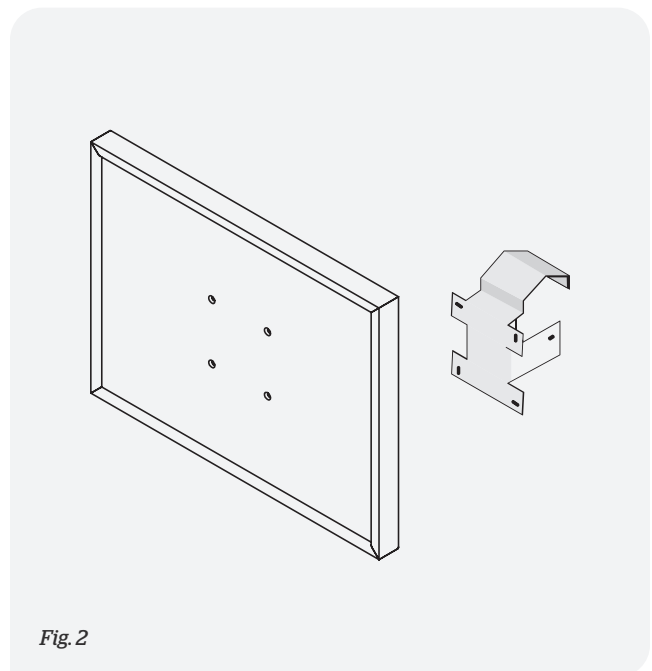
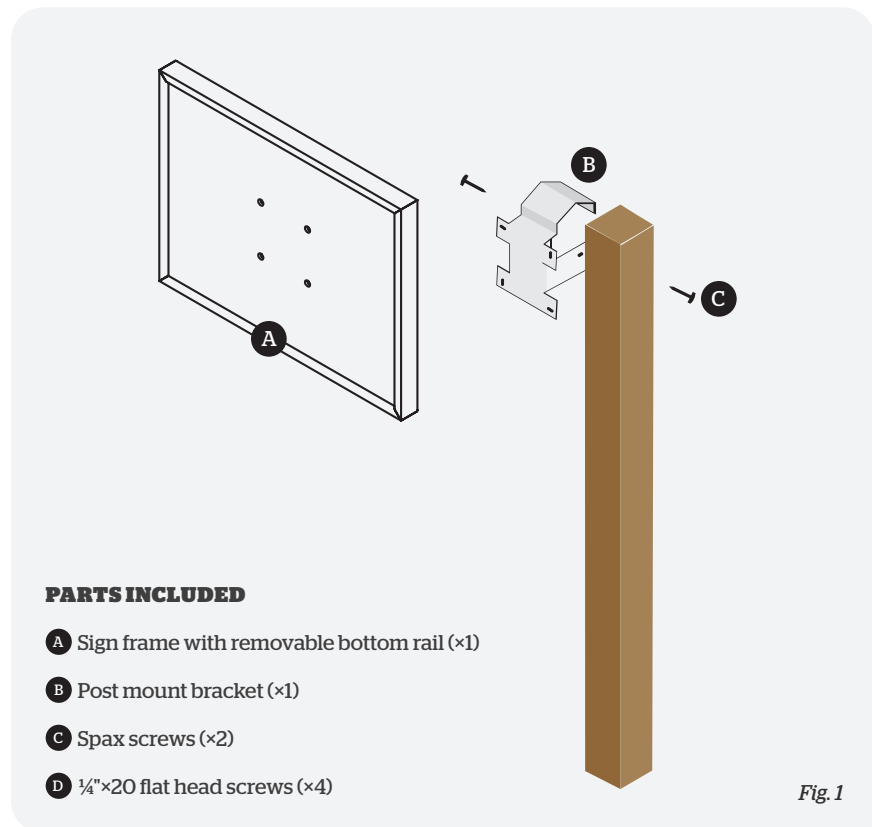


Fig. 2

ANGLED STORYWALK FRAME WITH BRACKET ASSEMBLY



TOOLS REQUIRED

- 5/32" Allen driver
- 7/16" socket or wrench

ASSEMBLY DIRECTIONS

1. Unpack all parts and inspect for damaged or missing items.
2. Arrange all items for assembly using corrugated packaging to protect items from damage.
3. After post has been installed (supplied by customer), attach bracket to post with spax screws (D).
4. Verify that removable rail is in bottom position attach the frame to the plate using the provided hardware (C) and a 5/32" allen driver and 7/16" socket or wrench. Do NOT use power tools as the stainless hardware might gall and seize.
5. Remove bottom rail, insert sign panel or book materials and secure bottom rail back in place.

IN GROUND INSTALLATION

TOOLS REQUIRED

- 5/32" Allen driver
- 7/16" socket
- Post hole digger
- Shovel
- Hammer
- Level
- Tape Measure
- Tamping stick for gravel
- Kraft paper or plastic sheet
- Wood braces and clamps

MATERIALS NEEDED

- Concrete and/or class 5 gravel

WOOD POST TIP

To achieve post lengths of 60" or 72", mark the center of a 10' or 12' treated wood post. Using the speed square, mark a cut line onto the post. Mark the opposite side of the post if your saw will not cut through. Cut the post into a pair of 5' or 6' posts.

Fig. 2



Footing specifications should be based on soil conditions and frost depths in your geographic area.