

NPS TRADITIONAL STYLE EXHIBIT (FRAME) ASSEMBLY AND IN GROUND INSTALLATION

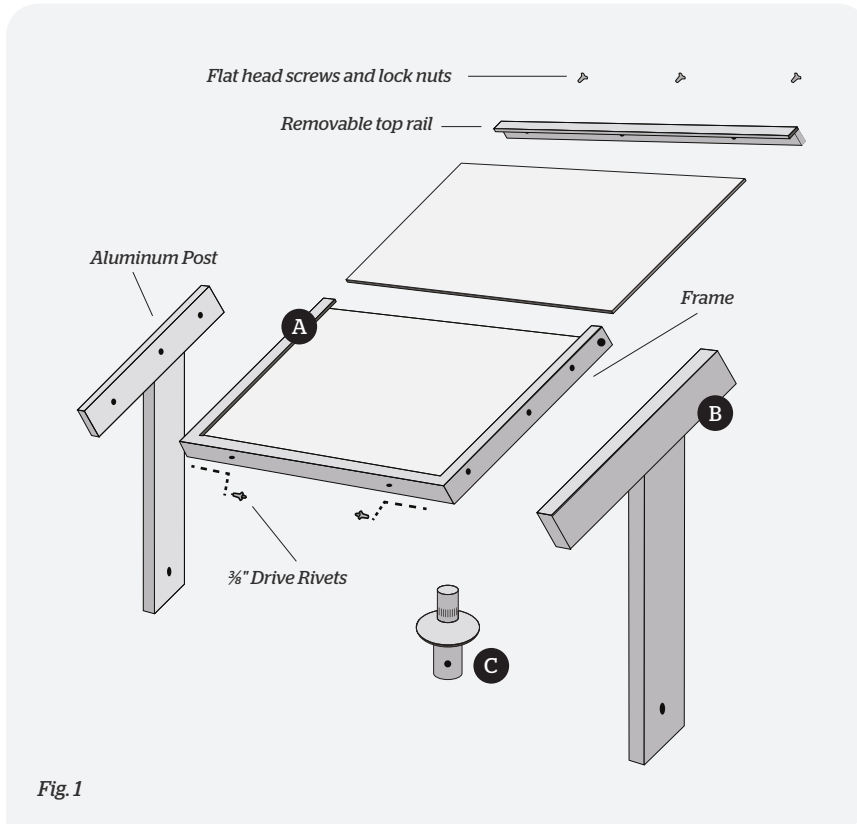


Fig. 1

PARTS INCLUDED

- A** Sign frame with removable top rail (x1)
- B** Sign posts (x2)
- C** Drive rivets (x4 for 18" H or x6 for 24" H)

TOOLS REQUIRED

- 5/32" Allen driver
- 7/16" socket or wrench
- Post hole digger
- Shovel
- Hammer
- Level
- Tape Measure
- Tamping stick for gravel
- Kraft paper or plastic sheet
- Wood braces and clamps

MATERIALS NEEDED

- Concrete and/or class 5 gravel
- 6-8" length of rebar (if desired)

ASSEMBLY DIRECTIONS

1. Unpack all parts and inspect for damaged or missing items.
2. Arrange all items for assembly using corrugated packaging to protect items from damage.
3. Attach the legs to the sign frame using drive rivets. With two people, lay one leg with the rivet holes up on a flat surface. Align the frame's rivet holes perpendicular to the post's holes. Verify that the removable rail is "up". Install rivets and punch rivet pin into rivet with a hammer. Repeat for the other leg, provide stabilization for the first leg during assembly.
4. Insert rebar through hole on post ends (if desired) to form a "T". Dig 8"-10" diameter holes 6" below the frostline, spaced 4"-5" wider than the width of the sign frame.
5. Add several inches of tamped gravel to serve as footing base. Verify installation height—bottom of frame should mount 28'-32" from grade. For a 24"H frame, a mount height of 30" from grade allows for 18" post burial.
6. Wrap posts with kraft paper or plastic sheet to protect from concrete spatter. Stabilize posts in holes with wood braces and clamps. Backfill with additional tamped class 5 and/or prepared concrete.
7. After concrete has set (if used), remove braces and plastic sheeting, if used.
8. Remove top rail, insert sign panel and secure top rail back in place.

Fig. 2



Footing specifications should be based on soil conditions and frost depths in your geographic area.