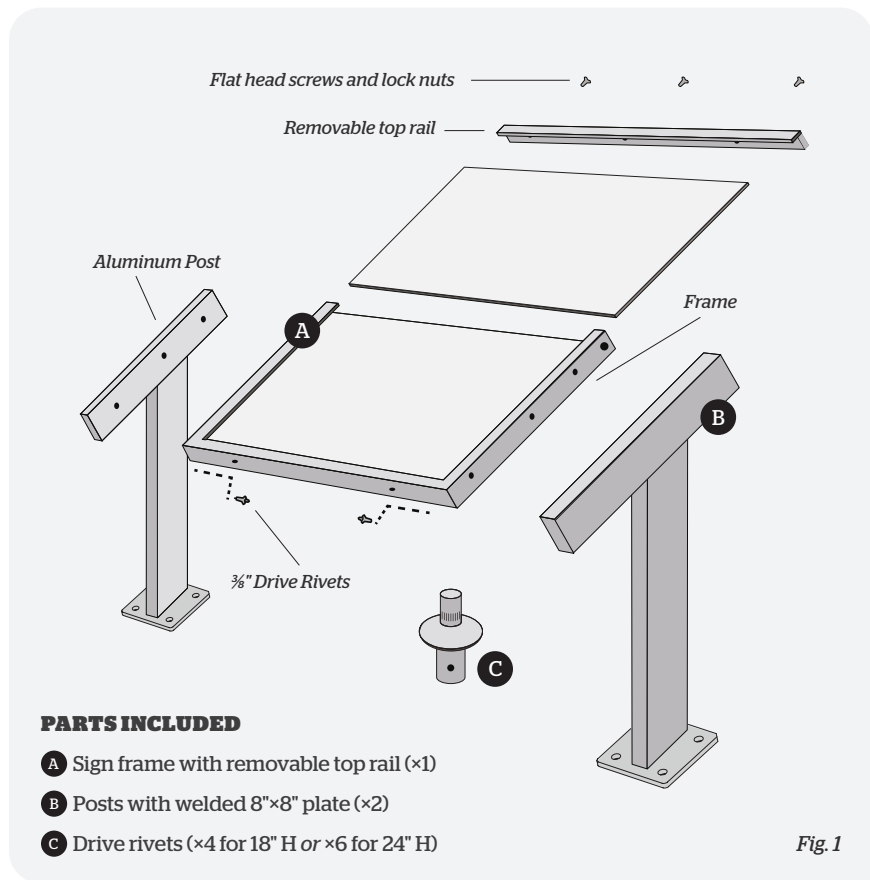


NPS TRADITIONAL STYLE EXHIBIT (FRAME) ASSEMBLY AND SURFACE MOUNT INSTALLATION



TOOLS REQUIRED

- 5/32" Allen driver
- 7/16" socket
- Hammer

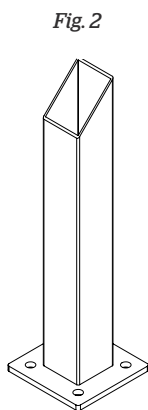
ASSEMBLY DIRECTIONS

1. Unpack all parts and inspect for damaged or missing items.
2. Arrange all items for assembly using corrugated packaging to protect items from damage.
3. Verify that removable rail is in top position.
4. Attach the legs to the sign frame using drive rivets. With two people, lay one leg with the rivet holes up on a flat surface. Align the frame's rivet holes perpendicular to the post's holes. Verify that the removable rail is "up". Install rivets and punch rivet pin into rivet with a hammer. Repeat for the other leg, provide stabilization for the first leg during assembly.

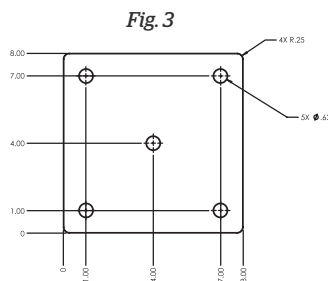
SURFACE MOUNT

INSTALLATION

Consult a professional to determine the correct installation hardware for your particular surface. If installing to a concrete pad, you will need to know the thickness of the pad to select proper hardware.



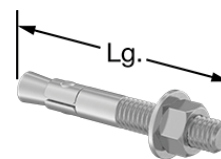
Basic Surface Mount



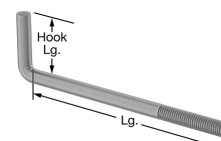
SCF-A88 Surface Mount Plate Mount Hole Layout

8×8× $\frac{3}{8}$ " aluminum (with center drain hole)

TYPES OF FASTENERS (NOT INCLUDED)



Steel Stud Anchor for Existing Concrete



Steel L-Hook Anchor for Wet Concrete