

NPS TRADITIONAL STYLE FRAMELESS PEDESTAL ASSEMBLY AND SURFACE MOUNT INSTALLATION

Aluminum post
with welded flange

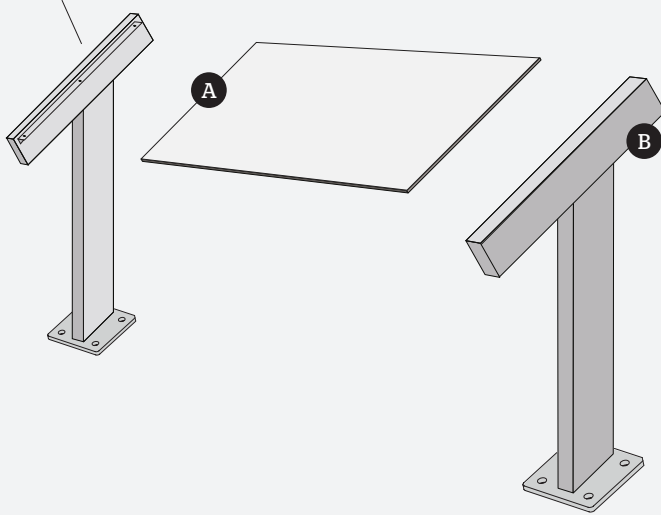


Fig. 1

PARTS

- A Sign (x1)
- B Posts with welded flange (x2)

TOOLS REQUIRED

5/32" Allen driver

ASSEMBLY DIRECTIONS

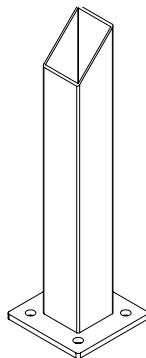
1. Unpack all parts and inspect for damaged or missing items.
2. Arrange all items for assembly using corrugated packaging to protect items from damage.
3. With two people, attach the sign panel to the flange welded to the post using hardware provided with the high pressure laminate sign. DO NOT OVERTIGHTEN.

SURFACE MOUNT

INSTALLATION

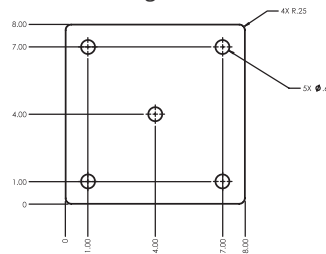
Consult a professional to determine the correct installation hardware for your particular surface. If installing to a concrete pad, you will need to know the thickness of the pad to select proper hardware.

Fig. 2



Basic Surface Mount

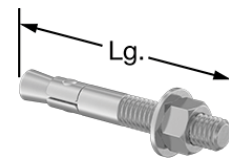
Fig. 3



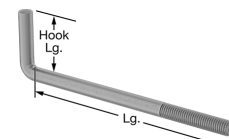
SCF-A88 Surface
Mount Plate
Mount Hole Layout

8x8x $\frac{3}{8}$ " aluminum
(with center drain hole)

TYPES OF FASTENERS (NOT INCLUDED)



Steel Stud Anchor
for Existing Concrete



Steel L-Hook Anchor
for Wet Concrete