

# SINGLE FRAMELESS PEDESTAL ASSEMBLY AND IN GROUND INSTALLATION

## PARTS INCLUDED

- A** If ordered, high pressure laminate sign panel (x1) (Includes 4 screws to fasten sign panel to mount plate provided by the sign panel manufacturer. Check the sign panel packaging carefully.)
- B** Sign post with welded 6"x6" plate (x1)
- C** Mount plate (12"x12", 12"x18", 16"x20")\*  
\*If ordered
- D** 1/4"x20 flat head screws (x4)

## TOOLS REQUIRED

- 5/32" Allen driver
- 7/16" socket or wrench
- Post hole digger
- Shovel
- Hammer
- Level
- Tape Measure
- Tamping stick for gravel
- Kraft paper or plastic sheet
- Wood braces and clamps

## MATERIALS NEEDED

- Concrete and/or class 5 gravel
- 6-8" length of rebar (if desired)

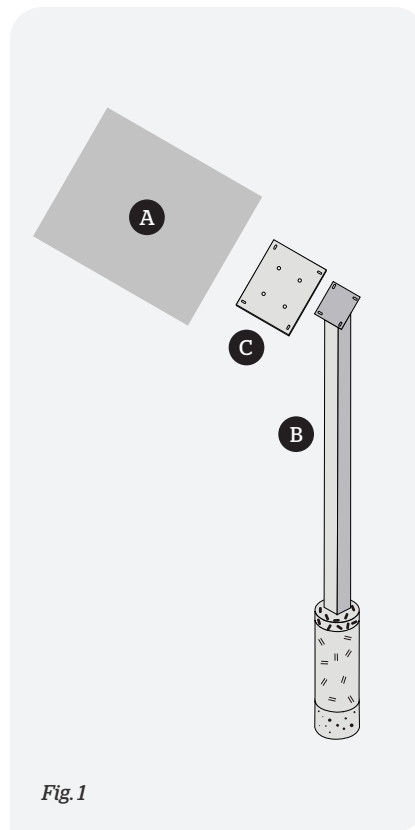


Fig. 1

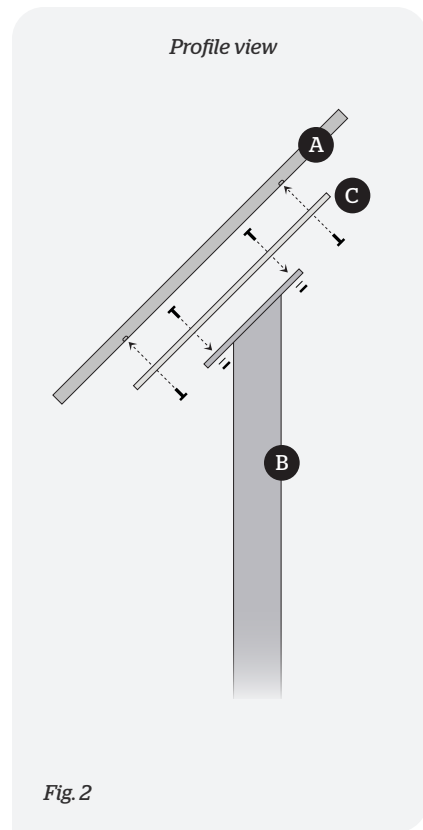


Fig. 2

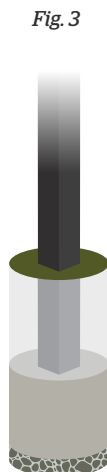


Fig. 3

*Footing specifications should be based on soil conditions and frost depths in your geographic area.*

## ASSEMBLY DIRECTIONS

1. Unpack all parts and inspect for damaged or missing items.
2. Arrange all items for assembly using corrugated packaging to protect items from damage.
3. If desired, insert rebar through hole on post end to form a "T".
4. Dig 8"-10" diameter hole to a depth of about 6" below the frost line. Add several inches of tamped gravel to serve as footing base. With post in the hole, verify installation height—bottom of sign panel should mount 28"-32" from grade. For a 24"H sign panel, a mount height of 30" from grade allows for about 20" post burial. For a 18"H sign panel, a 30" mount height from grade allows for about 22" post burial.
5. Protect post with wrapped kraft paper or plastic sheet. Verify level, plumb and installation height. Stabilize post in hole with wood braces and clamps. Backfill with additional tamped class 5 and/or prepared concrete.
6. After concrete has set (if used), remove braces and plastic sheeting, if used.
7. Attach mount plate (C) to 6"x6" post plate. Level and secure with flat head screws.
8. Attach self-supporting sign panel to the mount plate by passing fasteners (provided by the sign manufacturer) through the back side of the of the mount plate into the threaded holes in the backside of the sign panel. Level panel and tighten screws. DO NOT OVERTIGHTEN.