

SINGLE FRAMELESS PEDESTAL ASSEMBLY AND SURFACE MOUNT INSTALLATION

PARTS INCLUDED

- A** If ordered, high pressure laminate sign panel (x1) (Includes 4 screws to fasten sign panel to mount plate provided by the sign panel manufacturer. Check the sign panel packaging carefully.)
- B** Sign post with welded 6"×6" plate (x1)
- C** Mount plate (12"×12", 12"×18", 16"×20")*
*If ordered
- D** ¼"×20 flat head screws (x4)

TOOLS REQUIRED

- 5/32" Allen driver
- 7/16" socket or wrench
- Level

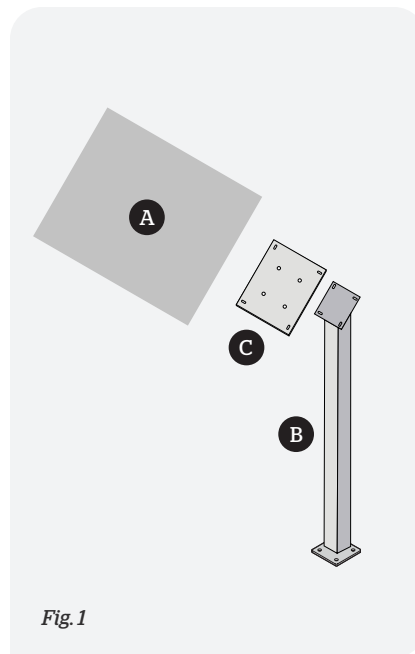


Fig. 1

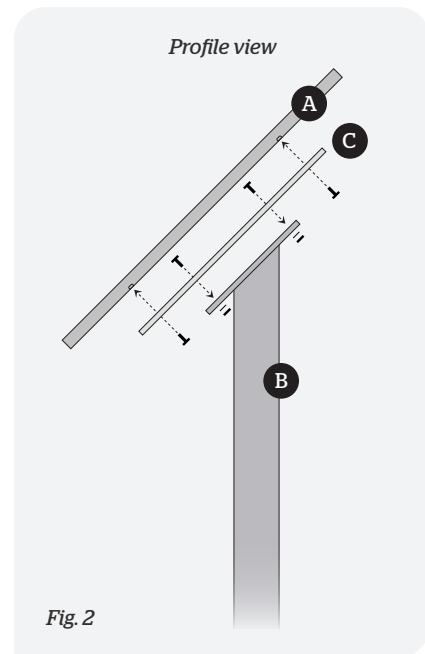


Fig. 2

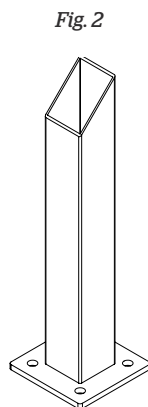
ASSEMBLY DIRECTIONS

1. Unpack all parts and inspect for damaged or missing items.
2. Arrange all items for assembly using corrugated packaging to protect items from damage.
3. Fasten surface mount plate to concrete pad, footing, deck or other surface with appropriate fasteners.
4. Attach mount plate (C) to 6"×6" post plate. Level and secure with flat head screws.
5. Attach self-supporting sign panel to the mount plate by passing fasteners (provided by the sign manufacturer) through the back side of the of the mount plate into the threaded holes in the backside of the sign panel. Level panel and tighten screws. DO NOT OVERTIGHTEN.

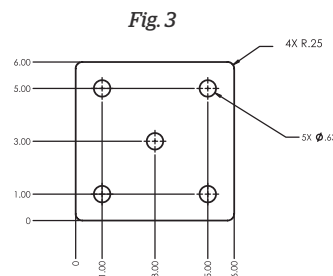
SURFACE MOUNT

INSTALLATION

Consult a professional to determine the correct installation hardware for your particular surface. If installing to a concrete pad, you will need to know the thickness of the pad to select proper hardware.



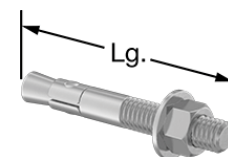
Basic Surface Mount



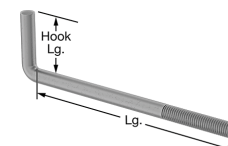
SCF-A66 Surface Mount Plate Mount Hole Layout

6×6×⅜" aluminum (with center drain hole)

TYPES OF FASTENERS (NOT INCLUDED)



Steel Stud Anchor for Existing Concrete



Steel L-Hook Anchor for Wet Concrete