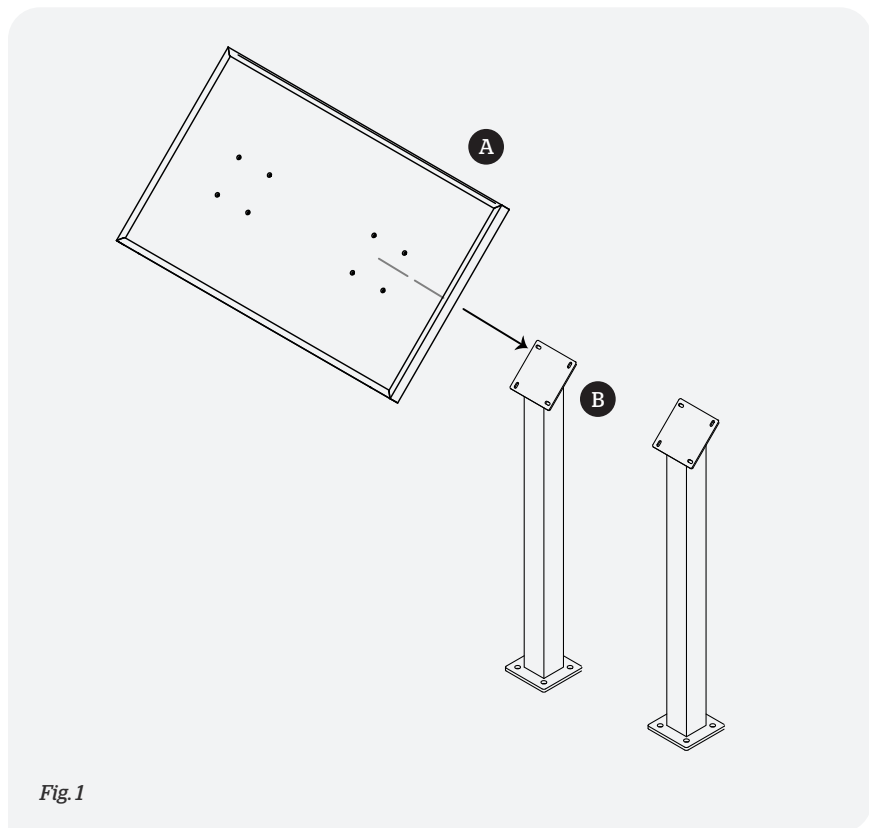


# STANDARD ANGLE MOUNT FRAME (DOUBLE POST WITH SURFACE MOUNT PLATES)



## TOOLS REQUIRED

- 5/32" Allen driver
- 7/16" socket

## PARTS INCLUDED

- A** Sign frame with removable top rail (x1)
- B** Posts with welded 6"×6" plate (x2)
- C** 1/4"×20 flat head screws (x8)\*  
\*Packaged in two sets of 4

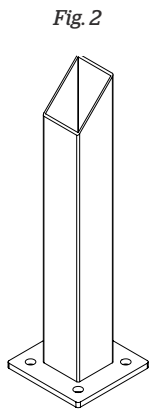
## ASSEMBLY DIRECTIONS

1. Unpack all parts and inspect for damaged or missing items.
2. Arrange all items for assembly, using corrugated packaging to protect items from damage.
3. Verify that removable rail is in top position.
4. Attach the frame to the post plates using the provided hardware (**C**) and a 5/32" allen driver and 7/16" socket or wrench.

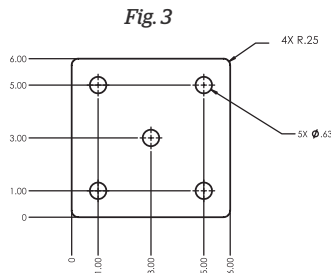
## SURFACE MOUNT

### INSTALLATION

Consult a professional to determine the correct installation hardware for your particular surface. If installing to a concrete pad, you will need to know the thickness of the pad to select proper hardware.



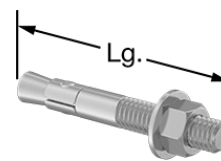
Basic Surface Mount



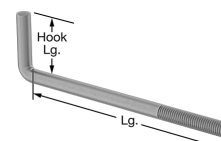
SCF-A66 Surface  
Mount Plate  
Mount Hole Layout

6×6×3/8" aluminum  
(with center drain hole)

### TYPES OF FASTENERS (NOT INCLUDED)



Steel Stud Anchor  
for Existing Concrete



Steel L-Hook Anchor  
for Wet Concrete