

STANDARD FLUSH MOUNT FRAME (SINGLE POST WITH SURFACE MOUNT PLATE)

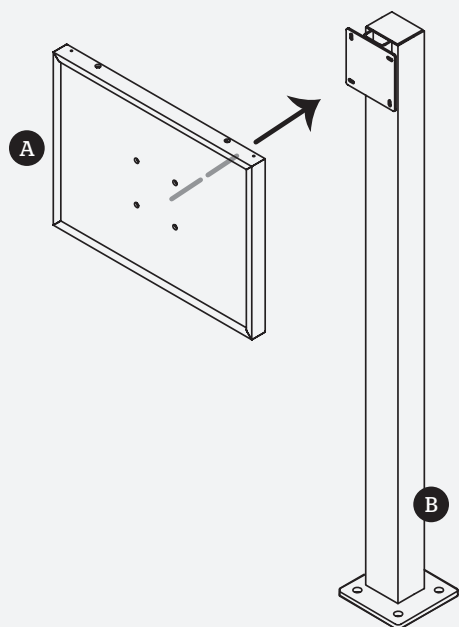


Fig. 1

TOOLS REQUIRED

- 5/32" Allen driver
- 7/16" socket or wrench

PARTS INCLUDED

- A Sign frame with removable top rail (x1)
- B Post with welded 6"x6" plate (x1)
- C 1/4"x20 flat head screws (x4)

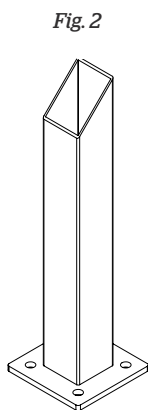
ASSEMBLY DIRECTIONS

1. Unpack all parts and inspect for damaged or missing items.
2. Arrange all items for assembly using corrugated packaging to protect items from damage.
3. Verify that removable rail is in top position.
4. Attach the frame to the post plate using the provided hardware (C) and a 5/32" allen driver and 7/16" socket or wrench.

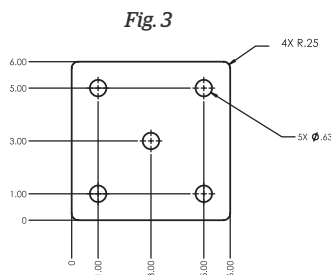
SURFACE MOUNT

INSTALLATION

Consult a professional to determine the correct installation hardware for your particular surface. If installing to a concrete pad, you will need to know the thickness of the pad to select proper hardware.



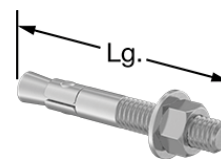
Basic Surface Mount



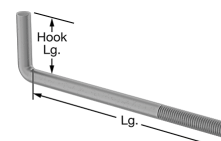
SCF-A66 Surface Mount Plate Mount Hole Layout

6x6x3/8" aluminum (with center drain hole)

TYPES OF FASTENERS (NOT INCLUDED)



Steel Stud Anchor for Existing Concrete



Steel L-Hook Anchor for Wet Concrete