

# STORYWALK FRAME WITH BRACKET FOR CHAIN LINK FENCE MOUNT

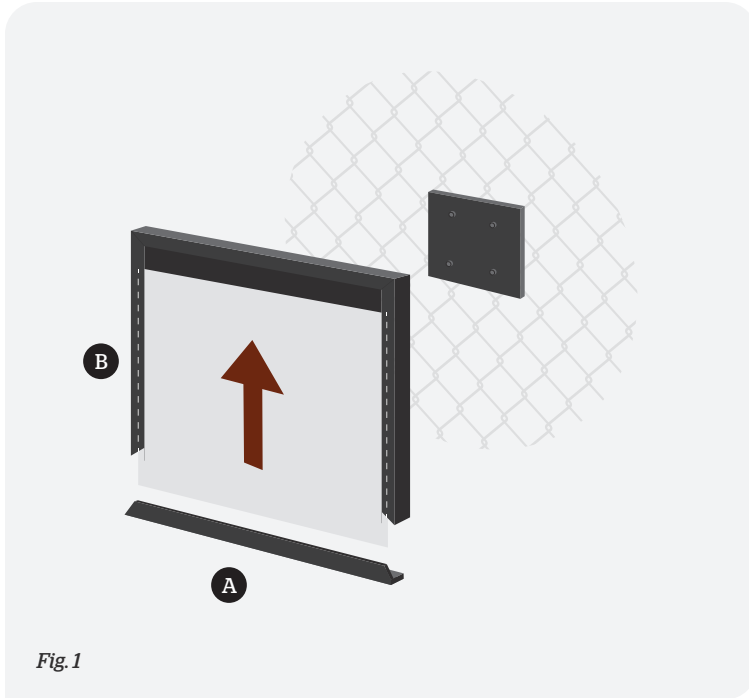


Fig. 1

## SPECIFICATIONS

- Ⓐ Removable bottom rail for sign panel (or book material) insertion. Panel slides into exposed channel at bottom of frame.
- Ⓑ Frame rail with frame gap for up to 1/4" thick book page or display materials.

For use with a 18" high × 24" wide sign panel (or book page materials), providing a viewable area of 16.75" high × 22.75" wide.

3 Year warranty on powder-coated aluminum frame.

Includes two clear acrylic sheets.

## ADDITIONAL INFORMATION

Our Storywalk frames are intended for the display of an outdoor durable sign panel or the temporary display of laminated book page materials. Bare in mind that inks used in book pages have little UV resistance and by their nature, are not well suited for outdoor display. For best results, use a 10 mil hot laminate with a sealed border to help protect book page materials. The use of the provided clear acrylic sheets will provide some additional protection, but will NOT result in a waterproof display or provide any UV resistance.

## CLEANING INSTRUCTIONS

Use a soft cloth and a diluted soap & water solution to wash the display.

Dry the display with a soft cloth.

DO NOT USE ammonia cleaners (Windex) or paper towels as they may damaged the display.

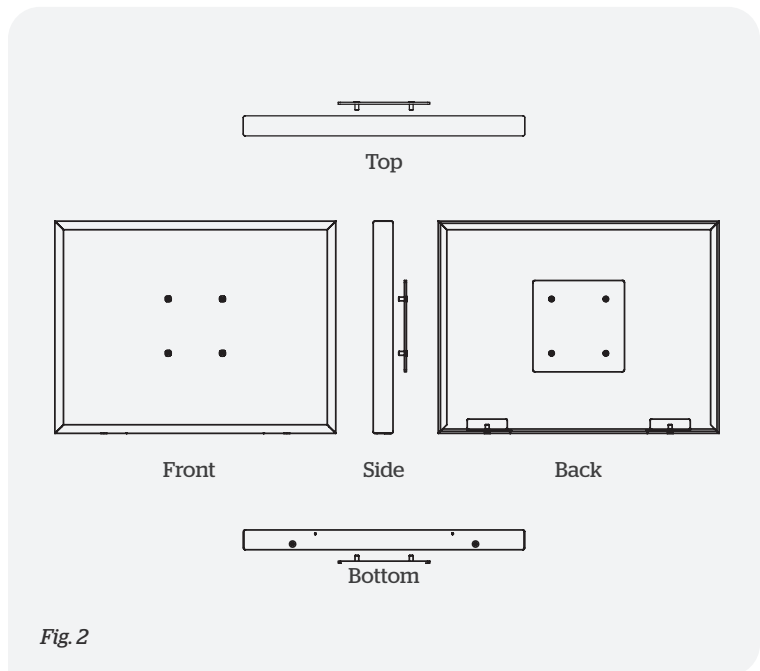
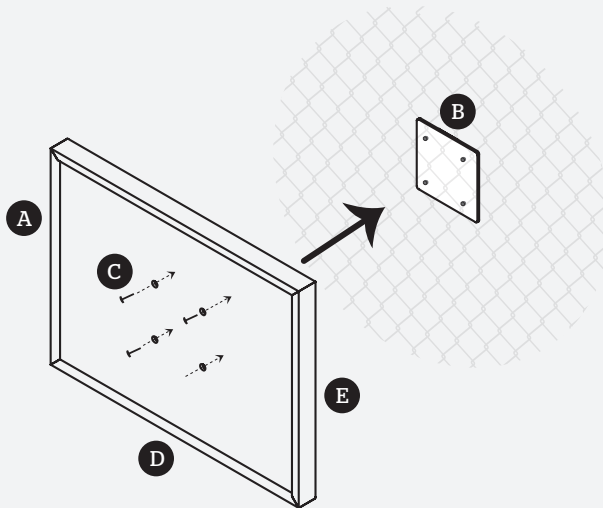


Fig. 2

# STORYWALK FRAME WITH CHAIN LINK FENCE MOUNT ASSEMBLY



## PARTS INCLUDED

- A Sign frame with removable bottom rail (×1)
- B Fence mount bracket (×1)
- C ¼"×20 flat head screws for frame (×4)
- D ¼"×20 flat head screws for bottom rail (×2)
- E Edge trim to minimize fence contact with frame (×1)

Fig. 1

## TOOLS REQUIRED

- 5/32" Allen driver
- Hand clipper or scissor to cut rubber edge trim

## ASSEMBLY DIRECTIONS

1. Unpack all parts and inspect for damaged or missing items.
2. Arrange all items for assembly using corrugated packaging to protect items from damage.
3. Cut rubber edge trim in lengths to fit vertical side rails of frame.
4. To minimize contact between the frame and fence, place rubber trim over vertical side rails.
5. Verify that the removable rail is in the bottom position. With the fence mount bracket on the other side of the fence, pass the provided hardware (D) through the frame back plate into the corresponding rivnuts on the mount bracket. Secure with a 5/32" allen driver. Do NOT use power tools as the stainless hardware might gall and seize.
6. Remove bottom rail, insert sign panel or book materials and secure bottom rail back in place.

Fig. 2